



# TREFOIL (TRIPLE) TYPE CABLE CLAMP

Short-circuit-proof mounting of single and multi-conductor cables

## Features and Benefits

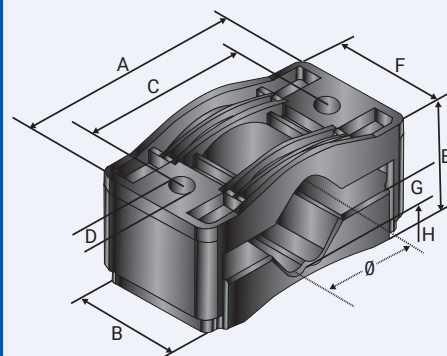
- Fastens a wide range of single and multi conductor low, medium and high voltage cables in triangular formation.
- Designed to provide superior mechanical strength, ideal for installations where cables are subject to short circuits.
- Wide clamping area range provides a controlled pressure on the cable and avoids damage to the isolation.
- Manufactured from specially formulated fibreglass-reinforced Polyamide giving an installation life span of 50-years.
- Suitable for indoor and outdoor installations, resistant against corrosion, ozone, high and low temperatures, oil, acids, salts, aggressive materials and UV radiation.

## Technical Data

Type:	Trefoil (Triple)	
Material:	Fibreglass - reinforced Polyamide Self extinguishing V-0 (UL94) halogen free, low smoke	

## Standards and Certifications

Certification:	PDL-10.057	Standard	IEC 61914
Mechanical Strength:	from 35.9 kN to 69.9 kN		
Temperature:	-40°C to +125°C		



## Installation Standards

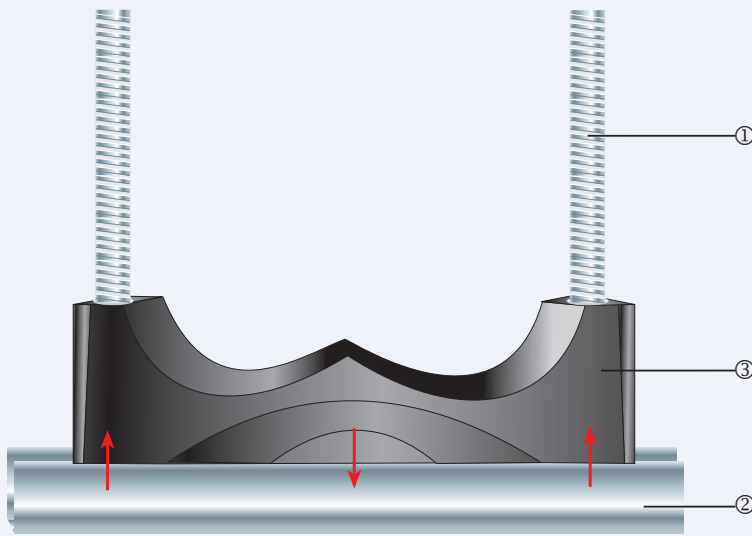
- AS 3000
- SABS 0142
- BS 7671
- BS 7430

Product Code	Dimensions								
	Cable Ø	'A'	'B'	'C'	'D'	'E'	'F'	'G'	'H'
48T27-38	3 x 27-38	180.0	75.0	125.0	15.5	63.0	12.0	35.0	16.5
48T38-51	3 x 38-51	195.0	80.0	145.0	15.5	84.0	16.0	45.0	20.0
48T51-69	3 x 51-69	220.0	85.0	170.0	15.5	109.0	21.0	58.0	26.0
48T69-90	3 x 69-90	252.0	90.0	215.0	15.5	134.0	29.0	72.0	30.0
48T90-118	3 x 90-118	321.0	100.0	270.0	15.5	180.0	27.0	89.0	33.0
48T118 - 150	3 x 118-150	400.0	110.0	340.0	15.5	211.0	37.0	110.0	75.0

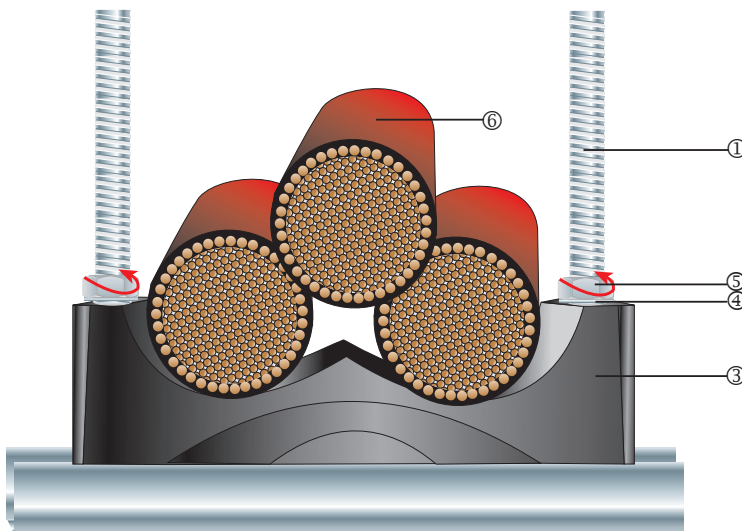
All dimensions are in mm.

Ø indicates the outer diameter of the cable .

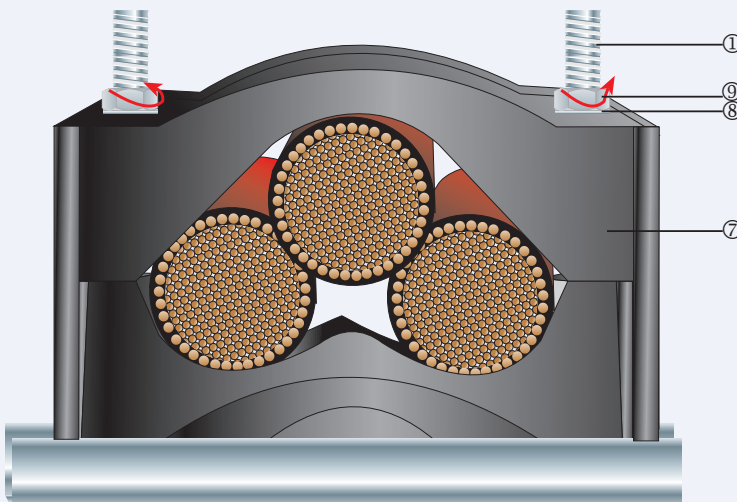
# TREFOIL (TRIPLE) TYPE CABLE CLAMP



1. Slide both T-Bolts ① through the rail ② and then slide lower shell ③ over bolts as indicated.



2. Place the washers ④ on the T-Bolts ① and tighten the nuts ⑤. Lay the cable ⑥ in lower shell ③.



3. Slide the upper shell ⑦ and washers ⑧ over the top half of the T-Bolts ① and tighten the nuts ⑤.