

UNIFIX (IM) TYPE

CABLE CLAMP

Short-circuit-proof mounting of single and multi-conductor cables



Features and Benefits

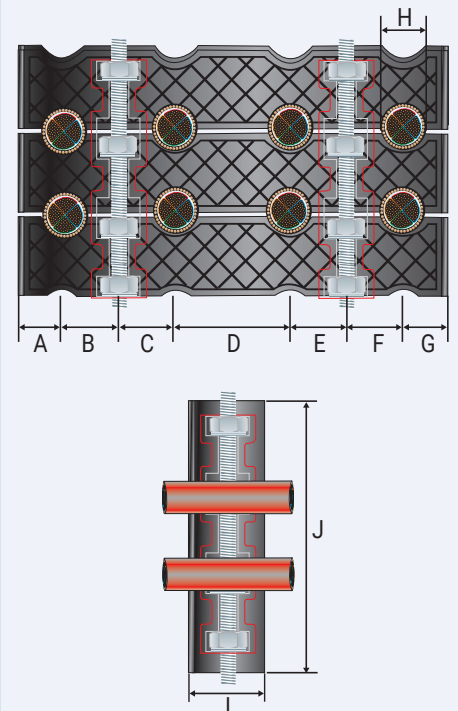
- Unifix (IM) types are suitable for fastening cables with a diameter of 12mm to 32mm and 32mm to 48mm.
- Designed to provide superior mechanical strength, ideal for installations where cables are subject to short circuits.
- Threaded rods can be lengthened at any position by means of threaded couplers.
- Manufactured from a specially formulated fibreglass-reinforced polyamide giving an installation life span of up to 50-years.
- Suitable for indoor and outdoor installations, resistant against corrosion, ozone, high and low temperatures, oils, acids, salts, aggressive materials and UV radiation.

Technical Data

Type:	Unifix (IM)		
Material:	Fibreglass - reinforced Polyamide		
	Self extinguishing V-0 (UL94) halogen free, low smoke		

Standards and Certifications

Certification:	PDL-10.057	Standard	IEC 61914
Mechanical Strength:	29.5 kN		
Temperature:	-40°C to +120°C		



Installation Standards

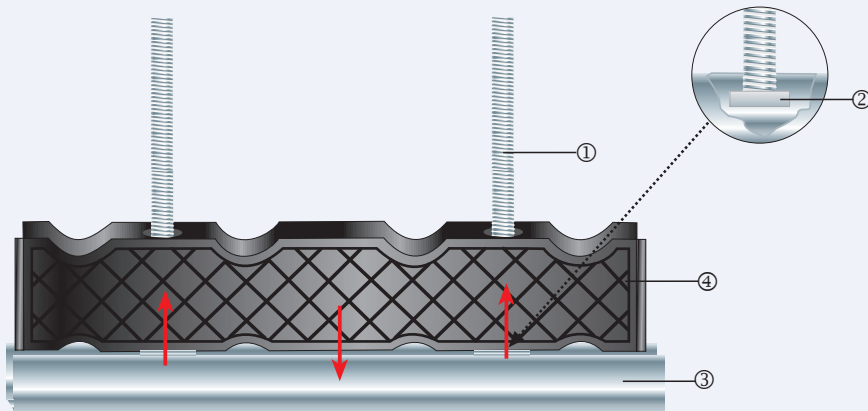
- AS 3000
- SABS 0142
- BS 7671
- BS 7430

Product Code	No. of Cable	No. of Blocks	No. of Layers	Dimensions											Height 'J'	Mechanical Resistance
				'A'	'B'	'C'	'D'	'E'	'F'	'G'	'H'		'I'			
											MIN	MAX				
48UF12-32/2	4	2	1	26.0	37.0	37.0	74.0	37.0	37.0	26.0	12	32	50.0	65.0	29.5 kN	
48UF12-32/3	8	3	2	26.0	37.0	37.0	74.0	37.0	37.0	26.0	12	32	50.0	65.0	29.5 kN	
48UF12-32/4	12	4	3	26.0	37.0	37.0	74.0	37.0	37.0	26.0	12	32	50.0	65.0	29.5 kN	
48UF12-32/5	16	5	4	26.0	37.0	37.0	74.0	37.0	37.0	26.0	12	32	50.0	65.0	29.5 kN	
48UF12-32/6	20	6	5	26.0	37.0	37.0	74.0	37.0	37.0	26.0	12	32	50.0	65.0	29.5 kN	
48UF32-48/2	4	2	1	45.0	42.5	42.5	85.0	42.5	42.5	45.0	12	48	50.0	65.0	29.5 kN	
48UF32-48/3	8	3	2	45.0	42.5	42.5	85.0	42.5	42.5	45.0	12	48	50.0	65.0	29.5 kN	
48UF32-48/4	12	4	3	45.0	42.5	42.5	85.0	42.5	42.5	45.0	12	48	50.0	65.0	29.5 kN	
48UF32-48/5	16	5	4	45.0	42.5	42.5	85.0	42.5	42.5	45.0	12	48	50.0	65.0	29.5 kN	
48UF32-48/6	20	6	5	45.0	42.5	42.5	85.0	42.5	42.5	45.0	12	48	50.0	65.0	29.5 kN	

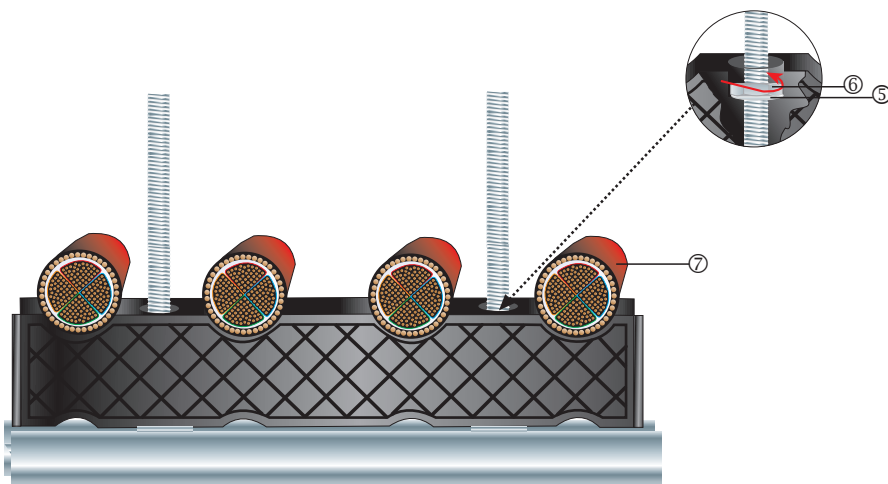
All dimensions are in mm.

UNIFIX (IM) TYPE CABLE CLAMP

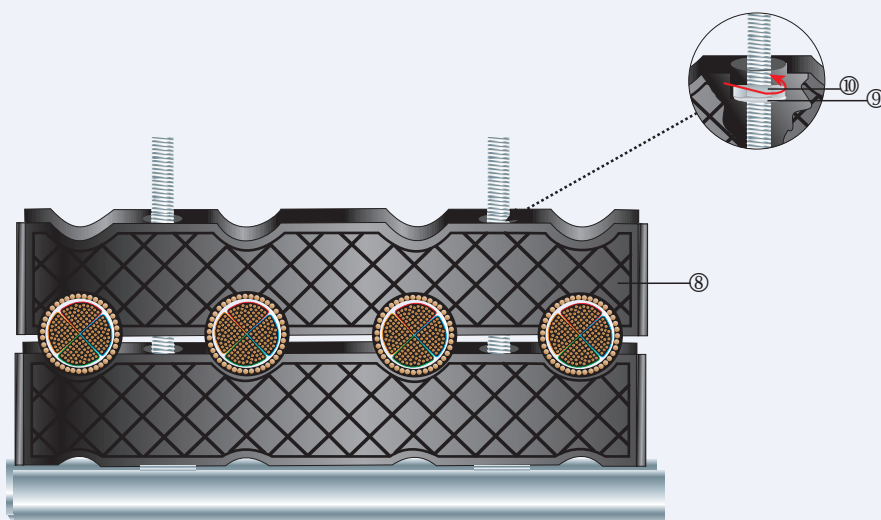
Available Block Parts: 2 block parts ④ for 4 cables, 3 block parts for 8 cables and so on. The illustration below shows a 2 block parts for 4 cables.



1. Screw the T-Bolt ① into the washer ②. Slide both T-Bolts ① through the rail ③ and then slide lower block part ④ over bolts as indicated.



2. Place the washers ⑤ on the T-Bolts ① and tighten with nuts ⑥. Lay the cable ⑦ in lower block part ④.



3. Slide the upper block part ⑧ and washers ⑨ over the top half of the T-Bolts ① and tighten the nuts ⑩.